



See Page 2 For Wattages and Lumens

Weight 10.3 lbs

IP66  
Suitable for wet locations

IK07  
Impact Resistant [Vandal Resistant]

EPA - 1.00

POLE NOT INCLUDED



### Construction

#### Aluminum

Less than 0.1% copper content - Marine Grade 6060 extruded & LM6 Aluminum High Pressure die casting provides excellent mechanical strength, clean detailed product lines and excellent heat dissipation.

#### Pre paint

8 step degrease and phosphate process that includes deoxidizing and etching as well as a zinc and nickel phosphate process before product painting.

#### Memory Retentive -Silicon Gasket

Provided with special injection molded "fit for purpose" long life high temperature memory retentive silicon gaskets. Maintains the gaskets exact profile and seal over years of use and compression.

#### Thermal management

LM6 Aluminum is used for its excellent mechanical strength and thermal dissipation properties in low and high ambient temperatures. The superior thermal heat sink design by Ligman used in conjunction with the driver, controls thermals below critical temperature range to ensure maximum luminous flux output, as well as providing long LED service life and ensuring less than 10% lumen depreciation at 50,000 hours.

#### Surge Suppression

Standard 10kv surge suppressor provided with all fixtures.

#### BUG Rating

B0 - U0 - G0

#### Finishing

All Ligman products go through an extensive finishing process that includes fettling to improve paint adherence.

#### Paint

UV Stabilized 4.9Mil thick powder coat paint and baked at 200 Deg C. This process ensures that Ligman products can withstand harsh environments. Rated for use in natatoriums.

#### Hardware

Provided Hardware is Marine grade 316 Stainless steel.

#### Anti Seize Screw Holes

Tapped holes are infused with a special anti seize compound designed to prevent seizure of threaded connections, due to electrolysis from heat, corrosive atmospheres and moisture.

#### Crystal Clear Low Iron Glass Lens

Provided with tempered, impact resistant crystal clear low iron glass ensuring no green glass tinge.

#### Optics & LED

Precise optic design provides exceptional light control and precise distribution of light. LED CRI > 80

#### Lumen - Maintenance Life

L80 /B10 at 50,000 hours (This means that at least 90% of the LED still achieve 80% of their original flux)

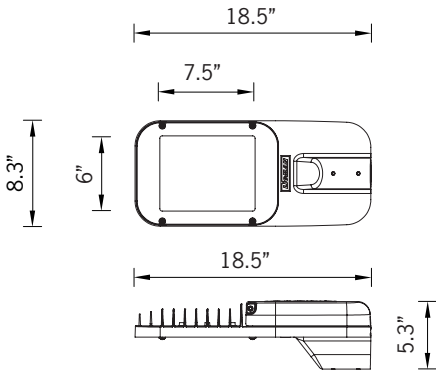
### Column-mounted street lighting family. Innovative, high-performance, sustainable, flexible and future proof street lighting range.

Engineered from the base up with environmental consciousness and energy efficiency in mind. Ligman's PowerMission series was developed specifically to fulfill the demanding conditions of road and street lighting applications.

The PowerMission series is highly flexible and can be easily retrofitted onto existing street light infrastructure, making it a state-of-the-art technology that is practical and affordable. Industry leading optical technology minimizes light pollution and optimizes light distribution.

The PowerMission ensures that only the targeted areas are illuminated, reducing unwanted light trespass and sky glow. This makes the PowerMission compliant with Dark Sky criteria and requirements. A high quality die-cast aluminum casing, not only houses the control gear and light modules, but it also acts as the primary thermal management device. This, in turn eliminates the need for additional heat sinks, whilst improving the overall performance and life span of the LEDs.

To meet International Dark Sky criteria, 3000k or warmer LEDs must be selected and luminaire fix mounted (+/- 15" allowable to permit leveling).



### Additional Options (Consult Factory For Pricing)



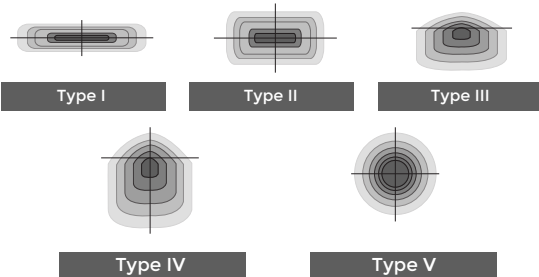
A90560  
Single Arm Mount



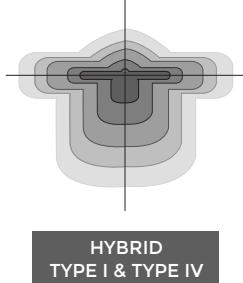
A90860  
Double Arm Mount



Ligman's micro Variable Optical System provides the ability to interchange, mix & rotate optics to provide specific light distributions for optimized spacing and uniformity.



The variable optic system allows for the designer to create hybrid distributions for precise lighting requirements.



<b>PROJECT</b>		<b>DATE</b>	
----------------	--	-------------	--

<b>QUANTITY</b>		<b>TYPE</b>		<b>NOTE</b>	
-----------------	--	-------------	--	-------------	--

### ORDERING EXAMPLE || P029 - GP015 - T2 - W30 - 02 - 120/277v - Options

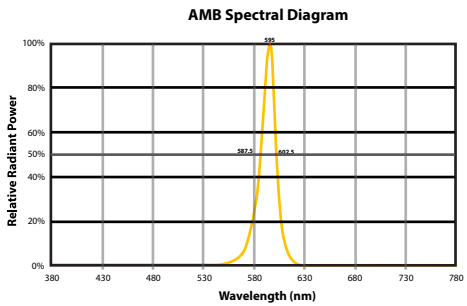
P029	LAMP	BEAM	LED COLOR	FINISH COLOR	VOLTAGE
	GP015 - 15w LED 1670 Lumens  GP020 - 19w LED 2338 Lumens  GP027 - 26w LED 3512 Lumens  GP028 - 28w LED 3284 Lumens  LM028 - 28w LED 2731 Lumens  GP041 - 38w LED 4845 Lumens  GP061 - 53w LED 6503 Lumens  LM059 - 54w LED 5348 Lumens	T1 - Type I Distribution T2 - Type II Distribution T3 - Type III Distribution T4 - Type IV Distribution	W27 - 2700K W30 - 3000K W35 - 3500K W40 - 4000K	01 - BLACK RAL 9011 02 - DARK GREY RAL 7043 03 - WHITE RAL 9003 04 - METALLIC SILVER RAL 9006 05 - MATTE SILVER RAL 9006 06 - LIGMAN BRONZE 07 - CUSTOM RAL	120/277v Other - Specify

--	--	--	--

### ADDITIONAL OPTIONS

- |  |  |
|--|--|
| DIM - 0-10v Dimming<br>NAT - Natatorium Rated<br>F - Frosted Lens<br>HSS - House Side Shield | AMB - Turtle Friendly Amber LED [GP015,GP020,GP028,LM028]<br>OS - Occupancy Sensor<br>A90560 - Single Arm Mount<br>A90860 - Double Arm Mount |
|--|--|

### CITY OF FLAGSTAFF & TURTLE FRIENDLY COMPLIANT



**Narrow-Spectrum Amber LEDs**  
 Peak wavelength between 585 & 595 nanometers and a full width of 50% power no greater than 15 nanometers.

**\* City of Flagstaff approved for GP015, GP020, GP028 and LM028 Only**