

UBOH-60033

Bornholm 4 Underwater Luminaire (Constant Voltage)



32w LED - 4038 Lumens
IP68 • Suitable For Wet Locations
IK07 • Impact Resistant (Vandal Resistant)
Weight 8 lbs

Construction

Luminaire Housing & Bracket
Marine grade 316 Stainless steel.

Memory Retentive -Silicon Gasket
Provided with special injection molded "fit for purpose" long life high temperature memory retentive silicon gaskets. Maintains the gaskets exact profile and seal over years of use and compression.

Thermal management
LM6 Aluminum is used for its excellent mechanical strength and thermal dissipation properties in low and high ambient temperatures. The superior thermal heat sink design by Ligman used in conjunction with the driver, controls thermals below critical temperature range to ensure maximum luminous flux output, as well as providing long LED service life and ensuring less than 10% lumen depreciation at 50,000 hours.

Surge Suppression
Standard 10kv surge suppressor provided with all fixtures.

Hardware
Provided Hardware is Marine grade 316 Stainless steel.

Crystal Clear Low Iron Glass Lens
Provided with tempered, impact resistant crystal clear low iron glass ensuring no green glass tinge.

Optics & LED
Precise optic design provides exceptional light control and precise distribution of light.
LED CRI > 80

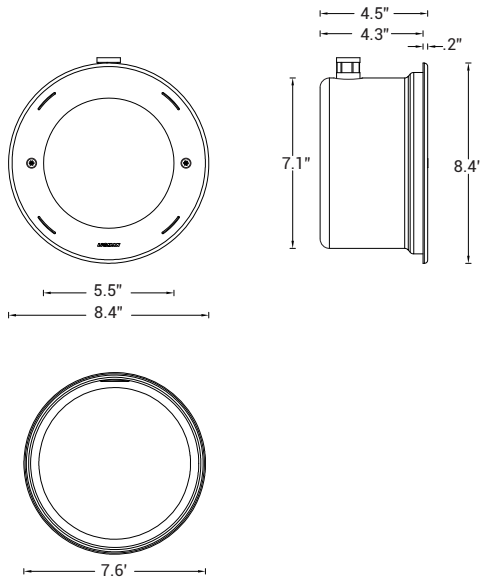
Lumen - Maintenance Life
L80 /B10 at 50,000 hours (This means that at least 90% of the LED still achieve 80% of their original flux)

Sophisticated recessed underwater family, available in four sizes with a wide range of lumen outputs and RGBW versions to suit any project brief.

A high powered compact recessed LED underwater projector for lighting small ponds, waterfalls and water jets. The floodlight must be submerged when operating. Stainless steel grade 316 body, stainless steel screws. Cable entry PG.11 cable gland supplied with 7ft of outdoor submersible #18/3 SOOW 600v power cable. Durable high temperature memory retentive silicon gasket and clear tempered vandal resistant glass. Remote 24v constant voltage driver required to be installed by others. Driver output voltage to be determined depending on quantity of luminaires connected in parallel.

Color temperature 2700K, 3000K, 3500K and 4000K, LED CRI >80 and life time 50,000 Hours. A variety of beam spreads are available to suit the application requirements. Maximum depth 5'. Suitable for recessed mount. Recessing box in PVC is included.

Remote driver is included and required to be installed by others. Remote IP gear box by contractor. This luminaire is constant voltage and needs connecting in parallel. This product is not available in Canada



Mounting Detail

Additional Options (Consult Factory For Pricing)



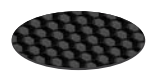
A80191
3" x 10" Remote Enclosure Box



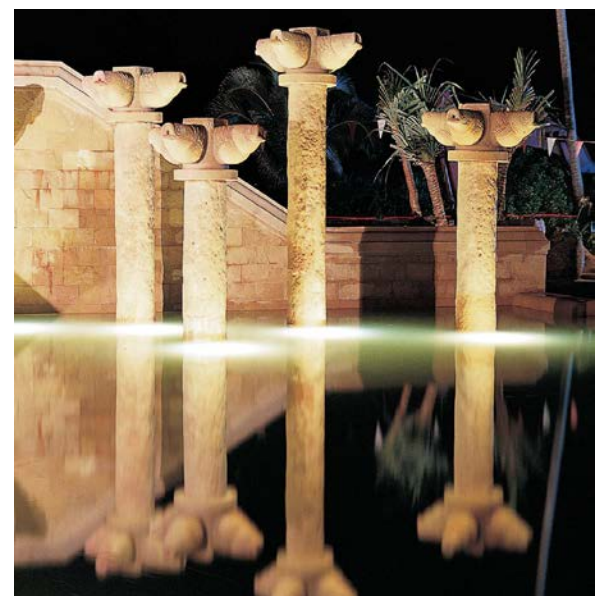
A80291
4" x 10" Remote Enclosure Box



Dichroic Color Filters



A52521
Honeycomb Louvre



UBOH-60033

Bornholm 4 Underwater Luminaire (Constant Voltage)

PROJECT	<input type="text"/>	DATE	<input type="text"/>
----------------	----------------------	-------------	----------------------

QUANTITY	<input type="text"/>	TYPE	<input type="text"/>	NOTE	<input type="text"/>
-----------------	----------------------	-------------	----------------------	-------------	----------------------

ORDERING EXAMPLE || UBOH-60033 - 32w - W - W30 - 120/277v

UBOH-60033	<input type="text"/>	<input type="text"/>	<input type="text"/>	<input type="text"/>
	LAMP	BEAM	LED COLOR	VOLTAGE
	32w LED 4038 Lumens	N - Narrow 10° M - Medium 16° W - Wide 32° VW - Very Wide 71° E - Elliptical 11° x 43°	W27 - 2700K W30 - 3000K W35 - 3500K W40 - 4000K	120/277v Other - Specify

<input type="text"/>	<input type="text"/>	<input type="text"/>	<input type="text"/>
----------------------	----------------------	----------------------	----------------------

ADDITIONAL OPTIONS

- A80191 - 3"x10" Remote Driver Enclosure Box
- A80291 - 4"x10" Remote Driver Enclosure Box
- A52521 - Honeycomb Louvre

- DICHROIC COLOR FILTERS**
- A52116 - Red Color Filter
 - A52117 - Blue Color Filter
 - A52118 - Amber Color Filter
 - A52119 - Green Color Filter

Bornholm Product Family

* (CV) - Constant Voltage



Bornholm 1

- UBOH-60003-RGBW-4w-170lm (RGBW)
- UBOH-60003-4w-358lm (CV)



Bornholm 2

- UBOH-60013-RGBW-10w-520lm (RGBW)
- UBOH-60013-8w-984lm (CV)



Bornholm 3

- UBOH-60023-RGBW-15w-1133lm (RGBW)
- UBOH-60023-21w-2319lm (CV)



Bornholm 4

- UBOH-60033-RGBW-20w-1600lm (RGBW)
- UBOH-60033-32w-4038lm (CV)